

## DESCRIPTION

AMC MODEL MSN-8DT-05-MP-IND OPTION: 08103, IES IS AN ABSORPTIVE/NON-REFLECTIVE SINGLE POLE EIGHT THROW SWITCH MODULE DESIGNED TO OPERATE BETWEEN THE 0.8 TO 1.3 GHz FREQUENCY RANGE.

## SPECIFICATIONS

- FREQUENCY RANGE: ..... 0.8 TO 1.3 GHz
- INSERTION LOSS: ..... 1.5 dB MAXIMUM
- ISOLATION: ..... 60 dB MINIMUM
- VSWR OUT/OFF: ..... 2.0:1 MAXIMUM
- RISE TIME: ..... 10 nSec TYPICAL, 15 nSec MAXIMUM
- FALL TIME: ..... 10 nSec TYPICAL, 15 nSec MAXIMUM
- DELAY ON: ..... 75 nSec TYPICAL, 100 nSec MAXIMUM
- DELAY OFF: ..... 75 nSec TYPICAL, 100 nSec MAXIMUM
- POWER INPUT: ..... (CW)+20 dBm (STANDARD),  
+10 dBm (HIGH SPEED)
- SURVIVAL POWER: ..... 1 WATT CW, 10 WATTS PEAK 1  $\mu$ Sec
- CONTROL: ..... SEE TABLE FOR PIN OUT
- POWER SUPPLY: ..... +5V @ 400 mA MAXIMUM  
-5V @ 100 mA MAXIMUM
- SIZE: ..... 1.20" (L) x 1.00" (W) x 0.50" (H)
- WEIGHT: ..... 1.5 OUNCE TYPICAL

## OPTIONS:

- 08103: ..... 0.8 TO 1.3 GHz FREQUENCY RANGE
- IES: ..... SPECIAL CUSTOMER SPECIFICATIONS

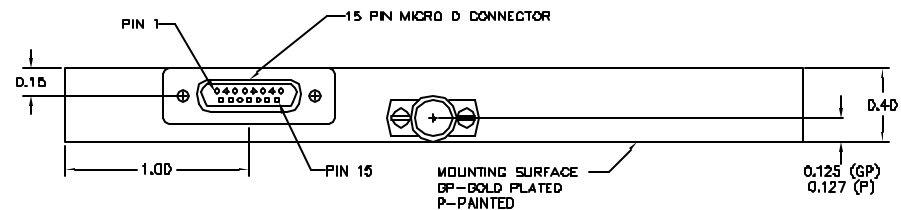
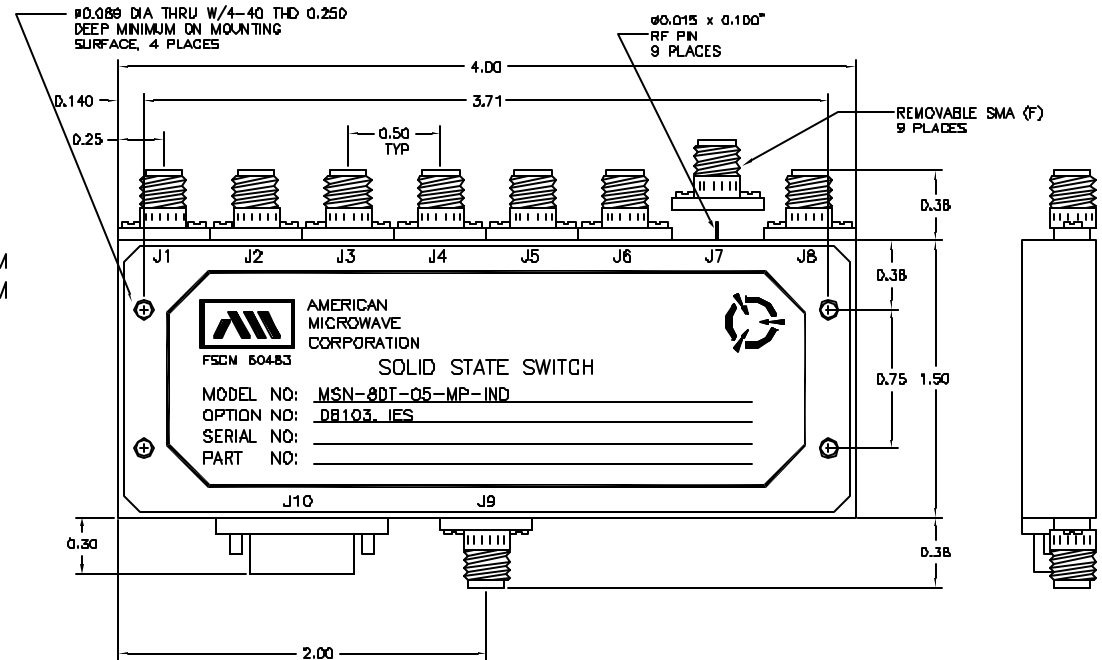
PIN OUT TABLE			
PIN NO.	FUNCTION	PIN NO.	FUNCTION
1	TD INPUT 1	9	N/C
2	TD INPUT 2	10	N/C
3	TD INPUT 3	11	N/C
4	TD INPUT 4	12	GND
5	TD INPUT 5	13	+V
6	TD INPUT 6	14	-V
7	TD INPUT 7	15	GND
8	TD INPUT 8		

## ENVIRONMENTAL RATINGS:

- TEMPERATURE: ..... -55°C TO +85°C (OPERATING)  
-65°C TO +125°C (STORAGE)
- HUMIDITY: ..... MIL-STD-202F, METHOD 103B COND. B
- SHOCK: ..... MIL-STD-202F, METHOD 213B COND. B
- VIBRATION: ..... MIL-STD-202F, METHOD 204D COND. B
- ALTITUDE: ..... MIL-STD-202F, METHOD 105C COND. B
- TEMPERATURE CYCLE: ..... MIL-STD-202F, METHOD 107D COND. A

NOTE: SPECIFICATIONS WILL VARY OVER OPERATING TEMPERATURE.  
NOTE: THE ABOVE SPECIFICATIONS ARE SUBJECT TO CHANGE OR REVISION

REVISIONS				
ZONE	REV.	DESCRIPTION	DATE	APPROVED
	-	ORIGINAL RELEASE JOB# 512277X	3/8/06	



## AMERICAN MICROWAVE CORPORATION

7311-G GROVE ROAD  
FREDERICK, MARYLAND 21704 USA  
TEL: 301-662-4700 FAX: 301-662-4938  
WEBSITE: [www.americanmicrowavecorp.com](http://www.americanmicrowavecorp.com)  
E-MAIL: [sales@americanmicrowavecorp.com](mailto:sales@americanmicrowavecorp.com)  
ISO 9001:2000 CERTIFIED



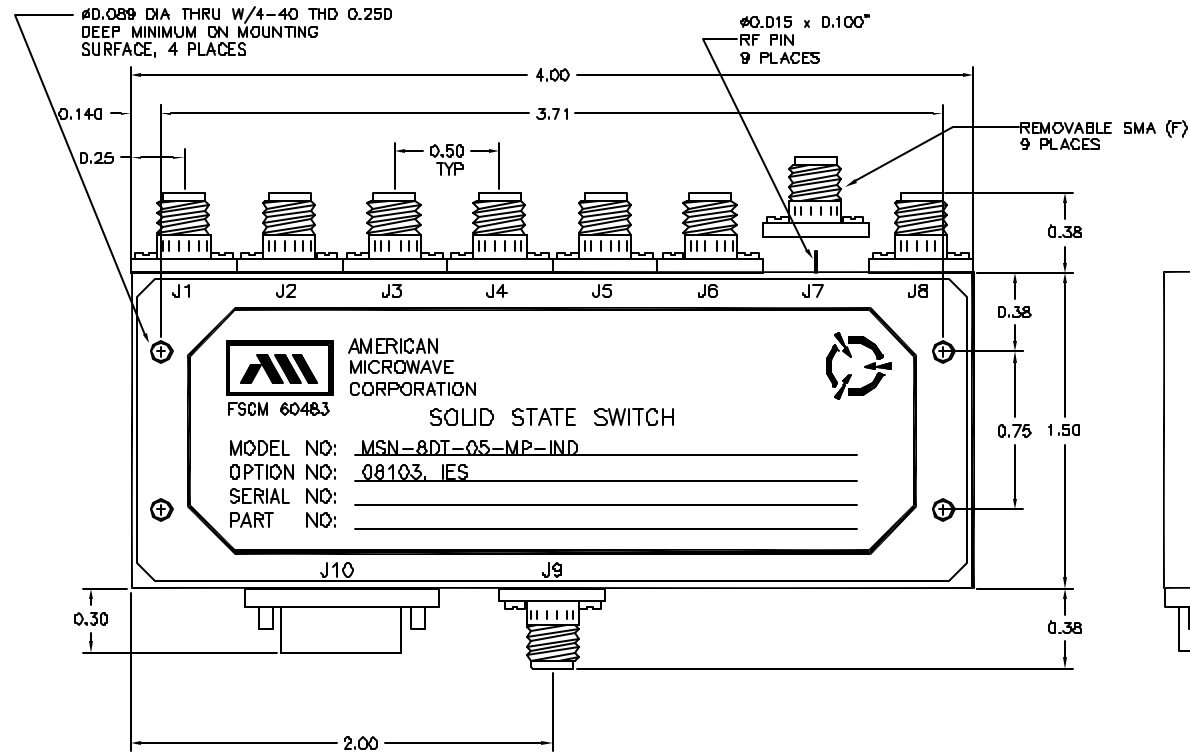
APPROVALS		DATE	TITLE	
DRAWN	<i>FDF</i>	3/8/06	PRODUCT FEATURE MSN-8DT-05-MP-IND OPTION: 08103, IES 0.8-1.3 GHz, SINGLE POLE EIGHT THROW SWITCH	
CHECKED			SIZE	FSCM NO.
ISSUED			A	60483
			DWG NO.	100-7618
			SCALE	N:S
			SHEET	1 OF 4

ALL DIMENSIONS ARE IN INCHES  
TOLERANCES:  
XXX ±0.020  
XXX ±0.010

## DESCRIPTION

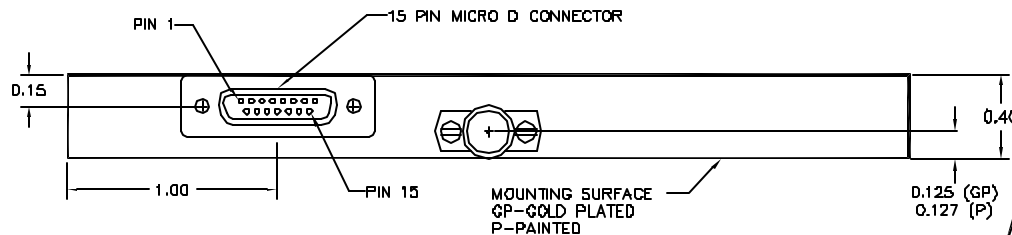
AMC MODEL MSN-8DT-05-MP-IND OPTION: 08103, IES IS AN ABSORPTIVE/NON-REFLECTIVE SINGLE POLE EIGHT THROW SWITCH MODULE DESIGNED TO OPERATE BETWEEN THE 0.8 TO 1.3 GHz FREQUENCY RANGE.

REVISIONS				
ZONE	REV.	DESCRIPTION	DATE	APPROVED
	-	ORIGINAL RELEASE JOB# 512277X	3/3/06	



## MECHANICAL OUTLINE

PIN OUT TABLE			
PIN NO.	FUNCTION	PIN NO.	FUNCTION
1	TO INPUT 1	9	N/C
2	TO INPUT 2	10	N/C
3	TO INPUT 3	11	N/C
4	TO INPUT 4	12	GND
5	TO INPUT 5	13	+V
6	TO INPUT 6	14	-V
7	TO INPUT 7	15	GND
8	TO INPUT 8		



ALL DIMENSIONS ARE IN INCHES  
TOLERANCES:  
X.XX ±0.020  
X.XXX ±0.010

## AMERICAN MICROWAVE CORPORATION

7311-G GROVE ROAD  
FREDERICK, MARYLAND 21704 USA  
TEL: 301-662-4700 FAX: 301-662-4938  
WEBSITE: [www.americanmicrowavecorp.com](http://www.americanmicrowavecorp.com)  
E-MAIL: [sales@americanmicrowavecorp.com](mailto:sales@americanmicrowavecorp.com)  
ISO 9001:2000 CERTIFIED

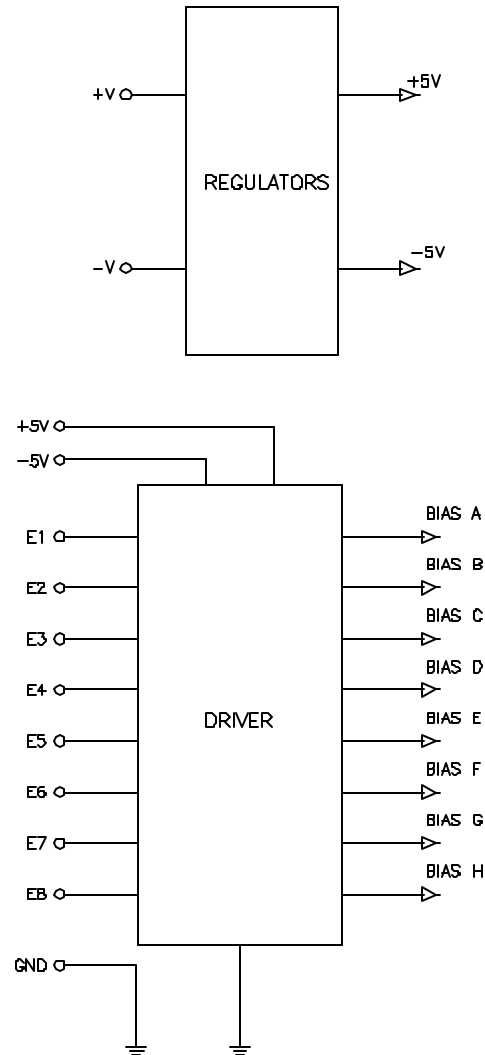


APPROVALS		DATE	TITLE	
DRAWN	<i>FDS</i>	3/3/06	MECHANICAL OUTLINE MSN-8DT-05-MP-IND OPTION: 08103, IES 0.8-1.3 GHz, SINGLE POLE EIGHT THROW SWITCH	
CHECKED			SIZE	FSCM NO.
ISSUED			A	60483
			DWG NO.	100-7618
			SCALE	N:S
			SHEET	2 OF 4

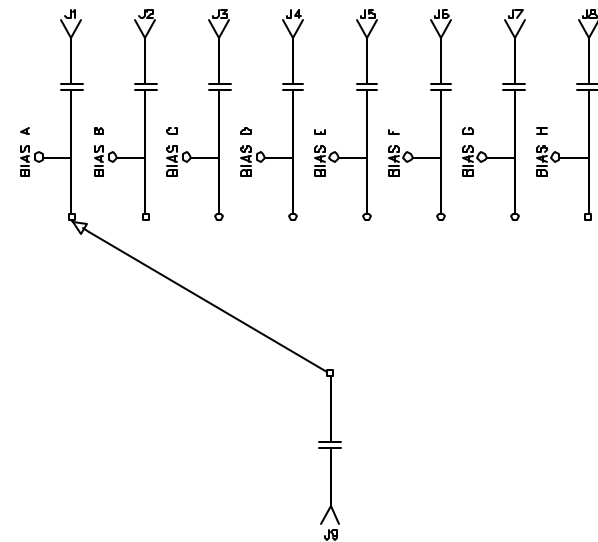
## DESCRIPTION

AMC MODEL MSN-8DT-05-MP-IND OPTION: 08103, IES IS AN ABSORPTIVE/NON-REFLECTIVE SINGLE POLE EIGHT THROW SWITCH MODULE DESIGNED TO OPERATE BETWEEN THE 0.8 TO 1.3 GHZ FREQUENCY RANGE.

REVISIONS				
ZONE	REV.	DESCRIPTION	DATE	APPROVED
	-	ORIGINAL RELEASE JOB# 512277X	3/8/06	



## FUNCTIONAL BLOCK DIAGRAM



## AMERICAN MICROWAVE CORPORATION

7311-G GROVE ROAD  
 FREDERICK, MARYLAND 21704 USA  
 TEL: 301-662-4700 FAX: 301-662-4938  
 WEBSITE: [www.americanmicrowavecorp.com](http://www.americanmicrowavecorp.com)  
 E-MAIL: [sales@americanmicrowavecorp.com](mailto:sales@americanmicrowavecorp.com)  
 ISO 9001:2000 CERTIFIED



APPROVALS		DATE	TITLE		
DRAWN <i>FDF</i>		3/8/06	FUNCTIONAL BLOCK DIAGRAM MSN-8DT-05-MP-IND OPTION: 08103, IES 0.8-1.3 GHZ, SINGLE POLE EIGHT THROW SWITCH		
CHECKED			SIZE A	PSCM NO. 60483	DWG NO. 100-7618
ISSUED			SCALE N:S		SHEET 3 OF 4